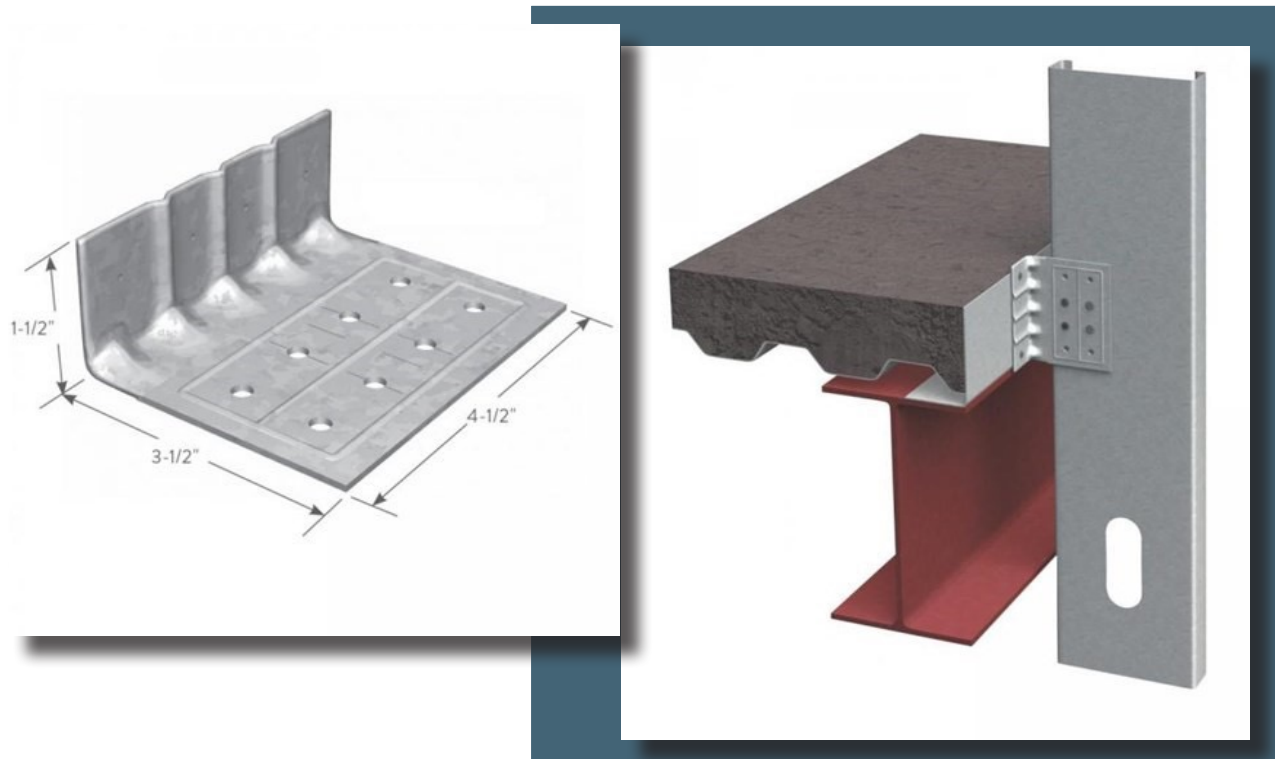




## Universal Rigid Clip

The Universal Rigid Clip is used to attach and support numerous rigid framing conditions. These clips have stiffened corners that provide superior design values and are installed easily with screws or powderactuated fasteners.

This clip is ideal for most rigid connections, including shear, tension and two-axis loading. The pre-punched holes allow for easy installation into the main structure and steel studs.



Material: 0.068" thickness, 50ksi tensile strength, G60 minimum galvanized  
Manufactured in accordance with ASTM A653/A653M (Standard for steel sheet, zinc-coated (galvanized) or zinc-iron alloy-coated by the hot-dip process).