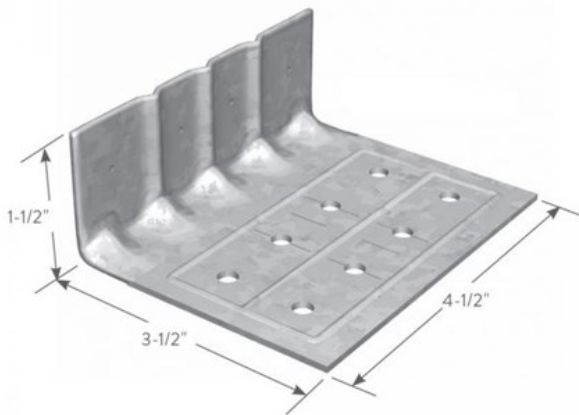


DCM METAL CORP

UNIVERSAL RIGID CLIP

DATA SHEET



DCM METAL CORP

396 Attwell Drive
Toronto, Ontario
M9W 5C3

Phone: 416-742-7642
Fax: 416-742-9438
www.dcm-metal.com

The Universal Rigid Clip is used to attach and support numerous rigid framing conditions. These clips have stiffened corners that provide superior design values and are installed easily with screws or powder-actuated fasteners. This clip is ideal for most rigid connections, including shear, tension and two-axis loading. The pre-punched holes allow for easy installation into the main structure and steel studs.

Material:

0.068" thickness, 50ksi tensile strength, G-60 minimum galvanized

Manufactured in accordance with ASTM A653/A653M (Standard for steel sheet, zinc-coated (galvanized) or zinc-iron alloy-coated by the hot-dip process).