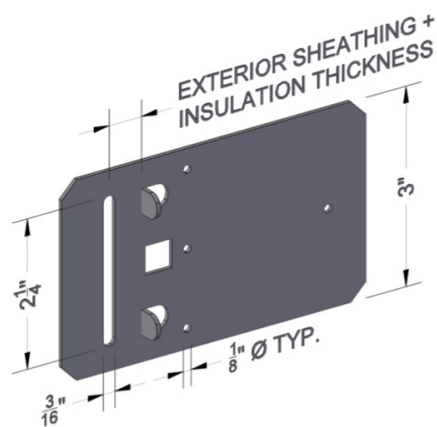


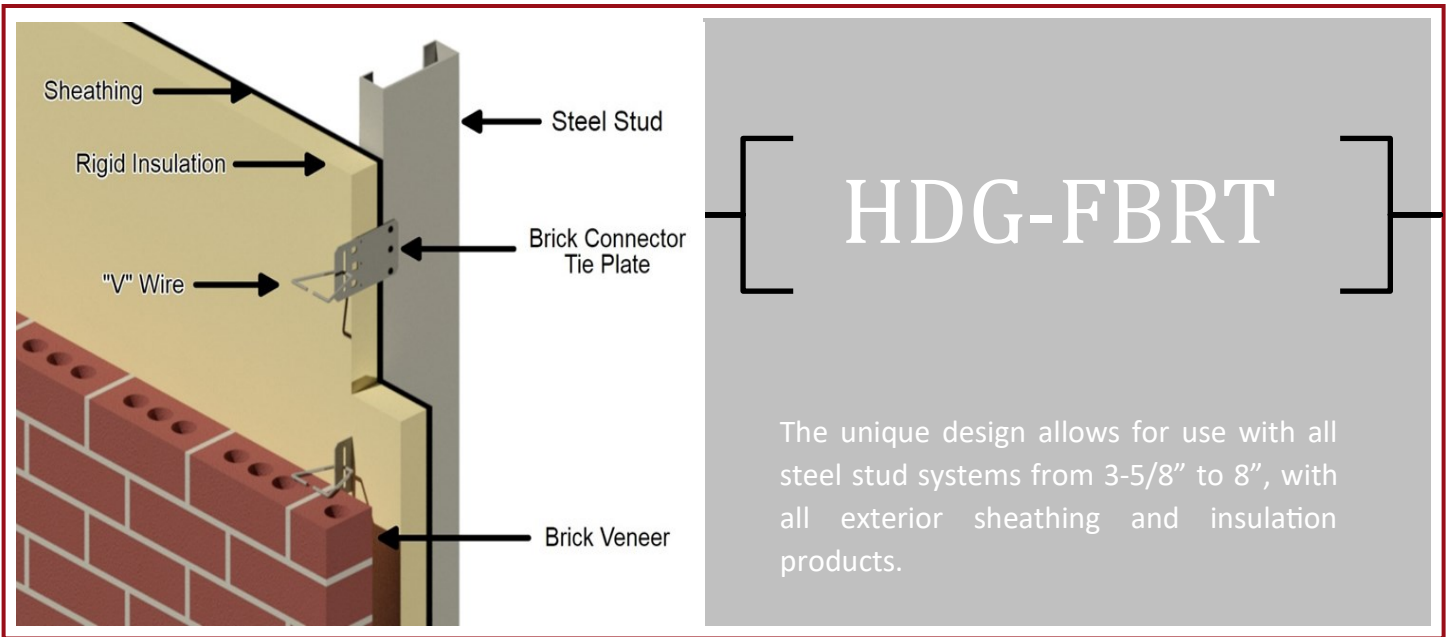
HDG-FBRT FLAT MOUNTED BRICK CONNECTOR

DATA SHEET



HDG-FBRT flat mounted post galvanized brick connectors are fastened to the web of steel studs, ensuring a high-strength shear connection. The HDG-FBRT connectors and 3" galvanized wire ties are used together to connect to the mortar and brick cladding, while allowing for the engineered specified allowable deflection limit to the exterior steel stud assembly (3" wire ties are sold separately).

The unique design allows for use with all steel stud systems from 3-5/8" to 8", with all exterior sheathing and insulation products. They are available in different lengths to accommodate various sheathing/insulation thicknesses (from 1" to 4"). The positioning of the tabs ensures that installation is fast and simple, while providing a stop to the sheathing/insulation. The design also provides flexibility of differential between the stud wall and the brick veneer and minimal free play.



HDG-FBRT

The unique design allows for use with all steel stud systems from 3-5/8" to 8", with all exterior sheathing and insulation products.

PRODUCT NAME	SHEATHING/INSULATION THICKNESS	PIECES PER BAG
HDG-FBRT10	1"	80
HDG-FBRT20	2"	80
HDG-FBRT30	3"	80
HDG-FBRT40	4"	80



DCM METAL CORP

396 Attwell Drive
Toronto, Ontario
M9W 5C3

Phone: 416-742-7642
Fax: 416-742-9438
www.dcm-metal.com

Material:

G-90 min galvanized, 0.054" thickness, 50 ksi tensile strength

Reference Standards:

CSA A370-14 – Connectors for Masonry galvanizing standards

ASTM A153 – Standard Specification for Zinc Coating (Hot-Dip) on Iron and Steel Hardware

CSA G30.3 – Cold-Drawn Steel Wire for Concrete Reinforcement

ASTM A1008 – Standard Specification for Steel, Sheet, Cold-Rolled, Carbon, Structural, High-Strength Low-Alloy, High-Strength Low-Alloy with Improved Formability, Solution Hardened, and Bake Hardenable