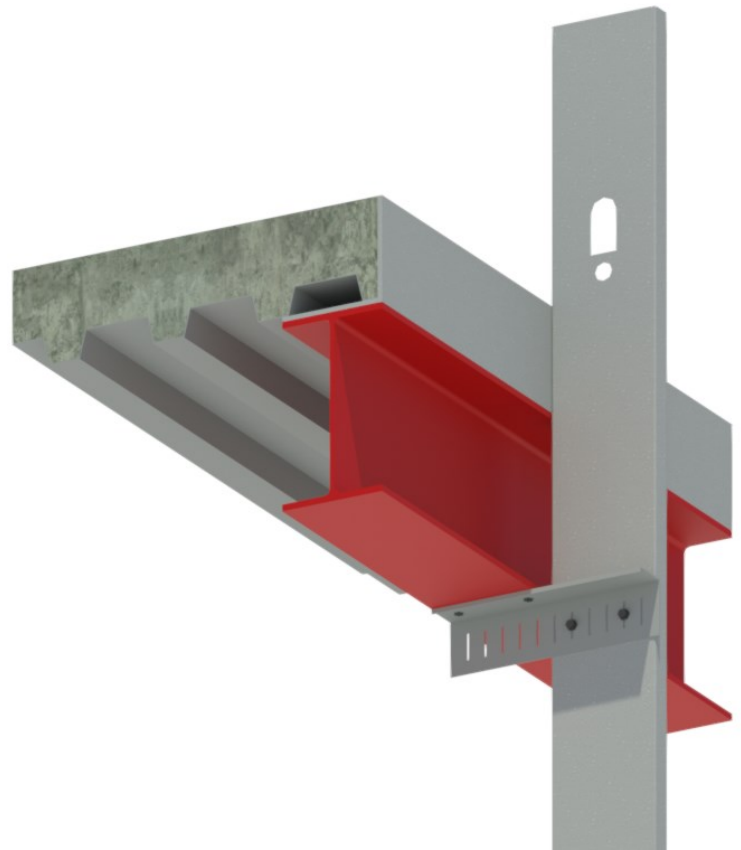
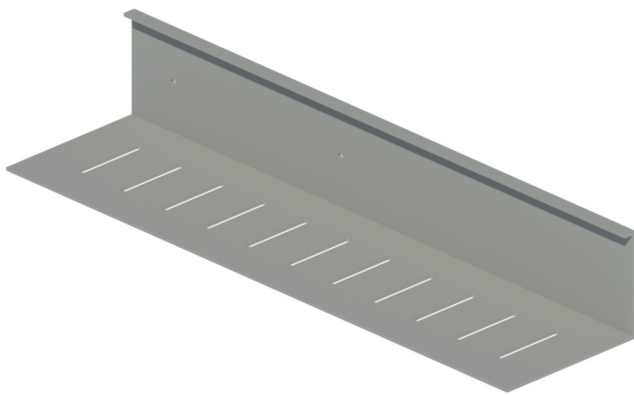


DCM METAL CORP

OUTRIGGER SLIDE CLIP

D A T A S H E E T



DCM METAL CORP

396 Attwell Drive
Toronto, Ontario
M9W 5C3

Phone: 416-742-7642
Fax: 416-742-9438
www.dcm-metal.com

Outrigger Slide Clips are used for horizontal surface applications and offers the highest capacity of any horizontal surface connection clip. The outrigger comes in lengths of 18" and 12", and can be field cut to shorter lengths if needed. Simple and fast to install which saves time and money. One clip fits all stud sizes, and there are no right or left hand clips.

Material: 14ga (68 mils), 50ksi, G-90

Manufactured in accordance with ASTM A653/A653M (Standard for steel sheet, zinc-coated (galvanized) or zinc-iron alloy-coated by the hot-dip process).