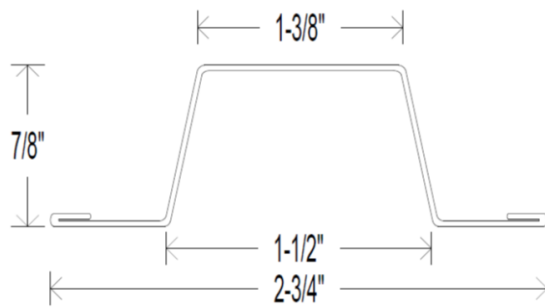


# FURRING CHANNEL

## DATA SHEET



Furring channel is a hat-shaped corrosion-resistant framing component used to furr out masonry walls and ceiling assemblies. In concrete wall applications, furring channel is installed vertically to the wall surface using concrete nails or power-driven fasteners. Gypsum panels are then screw-attached to the furring channels. In drop ceiling applications, furring channels can be attached directly to 1-1/2" cold rolled channels using tie wire. Screws or power-driven fasteners can be used to attach furring channel directly to the building structure.

## Furring Channel Section Properties

Table Notes:

1. If present, hems and offsets in flanges are ignored.
2. Effective properties are the minimum for positive and negative bending.

Section Designation	F <sub>y</sub> (ksi)	Base Design Thickness (in.)	Gross						Effective		
			Weight (lb/ft)	Area (in <sup>2</sup> )	I <sub>x</sub> (in <sup>4</sup> )	r <sub>x</sub> (in.)	I <sub>y</sub> (in <sup>4</sup> )	r <sub>y</sub> (in.)	I <sub>xd</sub> (in <sup>4</sup> )	S <sub>xe</sub> (in <sup>3</sup> )	M <sub>rx</sub> (k-in)
087F125-18	33	0.0188	0.245	0.072	0.0091	0.358	0.0360	0.707	0.0089	0.0162	0.482
087F125-33	33	0.0346	0.444	0.131	0.0160	0.350	0.0648	0.704	0.0160	0.0343	1.020
087F125-43	33	0.0451	0.573	0.168	0.0201	0.345	0.0832	0.703	0.0201	0.0432	1.280

# Furring Channel Ceiling Span Tables

## Table Notes:

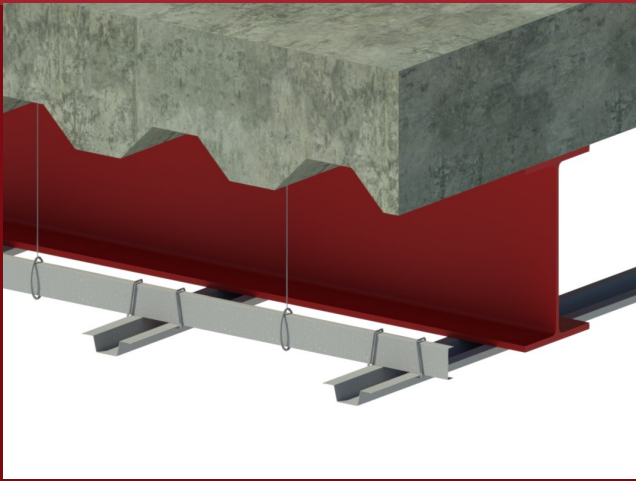
1. Single spans are the minimum span based on moment, shear, web crippling, or deflection.
2. Multiple spans are for 2 or more equal continuous spans with span length measured from support to support.
3. Web crippling check is based on a bearing length of 1" at each end and interior supports.
4. Multiple spans are the minimum span based on moment, shear, web crippling, combined bending and shear, combined bending and web crippling, or deflection.

## Limiting Ceiling Spans of Furring Channels (ft) - L/240

Specified dead loads			4 psf			6 psf			13 psf		
Section	F <sub>y</sub>	Span	Spacing (in.) o.c.			Spacing (in.) o.c.			Spacing (in.) o.c.		
Designation	(ksi)	Type	12	16	24	12	16	24	12	16	24
087F125-18	33	single	5' 3"	4' 9"	4' 2"	4' 7"	4' 2"	3' 7"	3' 6"	3' 2"	2' 9"
	33	mutilpe	6' 5"	5' 10"	5' 1"	5' 8"	5' 1"	4' 6"	4' 4"	3' 10"	3' 1"
087F125-33	33	single	6' 4"	5' 9"	5' 0"	5' 6"	5' 0"	4' 5"	4' 3"	3' 11"	3' 5"
	33	mutilpe	7' 10"	7' 2"	6' 3"	6' 10"	6' 3"	5' 5"	5' 3"	4' 10"	4' 2"
087F125-43	33	single	6' 10"	6' 3"	5' 5"	6' 0"	5' 5"	4' 9"	4' 7"	4' 2"	3' 8"
	33	mutilpe	8' 6"	7' 9"	6' 9"	7' 5"	6' 9"	5' 10"	5' 9"	5' 2"	4' 6"

## Limiting Ceiling Spans of Furring Channels (ft) - L/360

Specified dead loads			4 psf			6 psf			13 psf		
Section	F <sub>y</sub>	Span	Spacing (in.) o.c.			Spacing (in.) o.c.			Spacing (in.) o.c.		
Designation	(ksi)	Type	12	16	24	12	16	24	12	16	24
087F125-18	33	single	4' 7"	4' 2"	3' 7"	4' 0"	3' 7"	3' 2"	3' 1"	2' 9"	2' 5"
	33	mutilpe	5' 8"	5' 1"	4' 6"	4' 11"	4' 6"	3' 11"	3' 9"	3' 5"	3' 0"
087F125-33	33	single	5' 6"	5' 0"	4' 5"	4' 10"	4' 5"	3' 10"	3' 9"	3' 5"	2' 11"
	33	mutilpe	6' 10"	6' 3"	5' 5"	6' 0"	5' 5"	4' 9"	4' 7"	4' 2"	3' 8"
087F125-43	33	single	6' 0"	5' 5"	4' 9"	5' 3"	4' 9"	4' 2"	4' 0"	3' 8"	3' 2"
	33	mutilpe	7' 5"	6' 9"	5' 10"	6' 6"	5' 10"	5' 1"	5' 0"	4' 6"	3' 11"



## DROP CEILING

Furring channels can be attached directly to 1-1/2" cold rolled channels using tie wire. Screws or power-driven fasteners can be used to attach furring channel directly to the building structure.



## FURRING OUT BLOCK WALLS

Furring channel is installed vertically to the wall surface using concrete nails or power-driven fasteners. Gypsum panels are then screw-attached to the furring channels.

### 7/8" Furring Channel Systems

Member	Gauge	Mils	Zinc Coating	Tensile Strength	Pieces/Bundle
087F125-18	25	18	G40 min	33 ksi	10
087F125-33	20	33	G60 min	33 ksi	10
087F125-43	18	43	G60 min	33 ksi	10



#### DCM METAL CORP

396 Attwell Drive  
Toronto, Ontario  
M9W 5C3

Phone: 416-742-7642  
Fax: 416-742-9438  
www.dcm-metal.com

#### Material:

Manufactured in accordance with CAN/CSA S-136-16 (North American specification for the design of cold-formed steel structural members), ASTM A653/A653M (Standard for steel sheet, zinc-coated (galvanized) or zinc-iron alloy-coated by the hot-dip process), ASTM C645 (Standard specification for non-structural steel framing members), and Standard CSSBI 61-18 (Manufacturer Certification Requirements for Cold Formed Steel Framing Members - Certificate of Registration reference number Q107858).