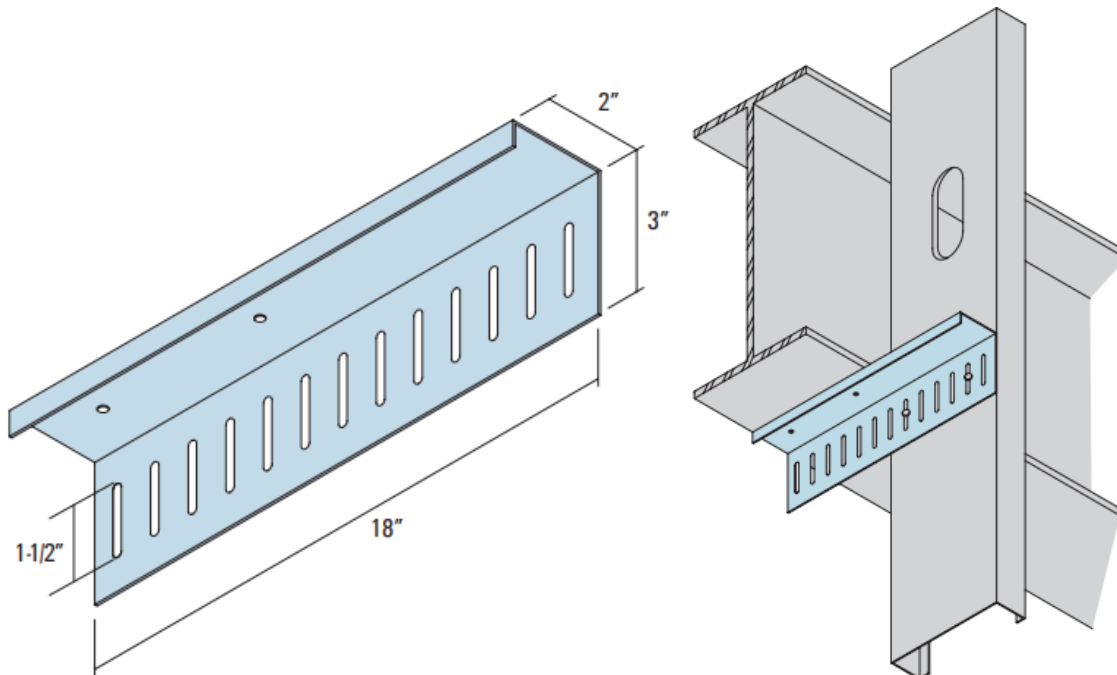




396 Attwell Drive, Toronto, Ontario. M9W 5C4
TEL: (416)742-7642 FAX: (416)742-9438 order@dcm-metal.com

Product Data Sheet Outrigger Clip



Outrigger Slide Clip is used for horizontal surface applications. The outrigger comes in lengths of 18" or 12" and can be field cut to shorter lengths if needed. It is simple and fast to install, which saves time and money. One clip fits all stud sizes. The slotted holes allow for up to 1.5" of deflection. They can be fastened with powder-actuated fasteners to the main building structure and with self-drill screws in steel studs.

Material:

0.068" thickness, 50ksi tensile strength, G-60 minimum galvanized

Manufactured in accordance with ASTM A653/A653M (Standard for steel sheet, zinc-coated (galvanized) or zinc-iron alloy-coated by the hot-dip process).