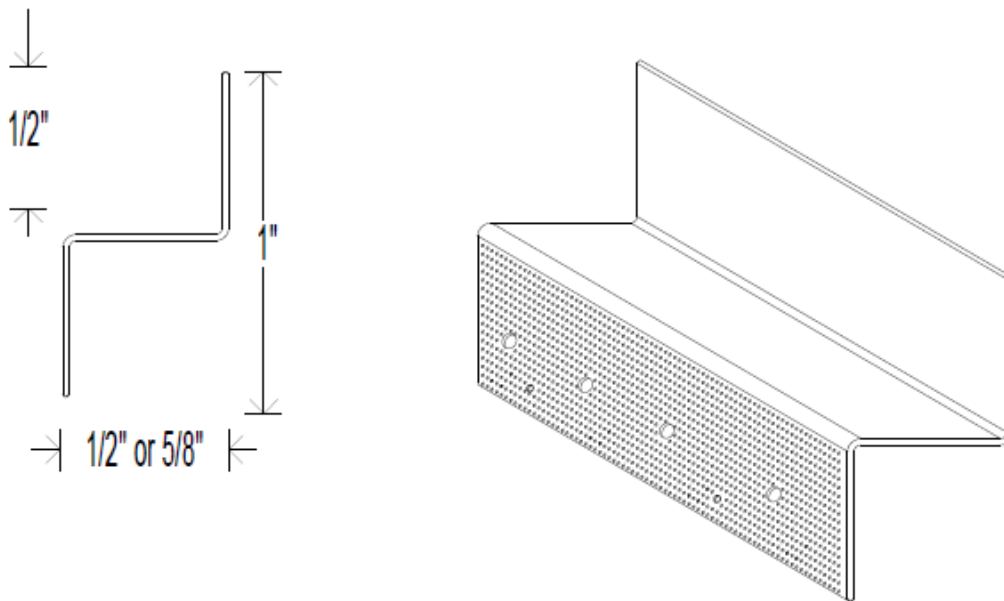




396 Attwell Drive, Toronto, Ontario. M9W 5C4
TEL: (416)742-7642 FAX: (416)742-9438 order@dcm-metal.com

Product Data Sheet Reveal Trim



- Provides a sharp reveal around openings at ceilings and floors
- The holes and knurled surface provide an excellent 'key' for the joint compound
- Available 1/2" or 5/8" flanges to provide a 1/2" reveal
- Available in 10' lengths
- 10 pcs/bdl
- In compliance with ASTM C1047, ASTM C754, ASTM A653

Manufactured in accordance to: CAN/CSA S-136-16 (North American specification for the design of cold-formed steel structural members), ASTM A653/A653M (Standard for steel sheet, zinc-coated (galvanized) or zinc-iron alloy-coated by the hot-dip process), ASTM C645 (Standard specification for non-structural steel framing members).