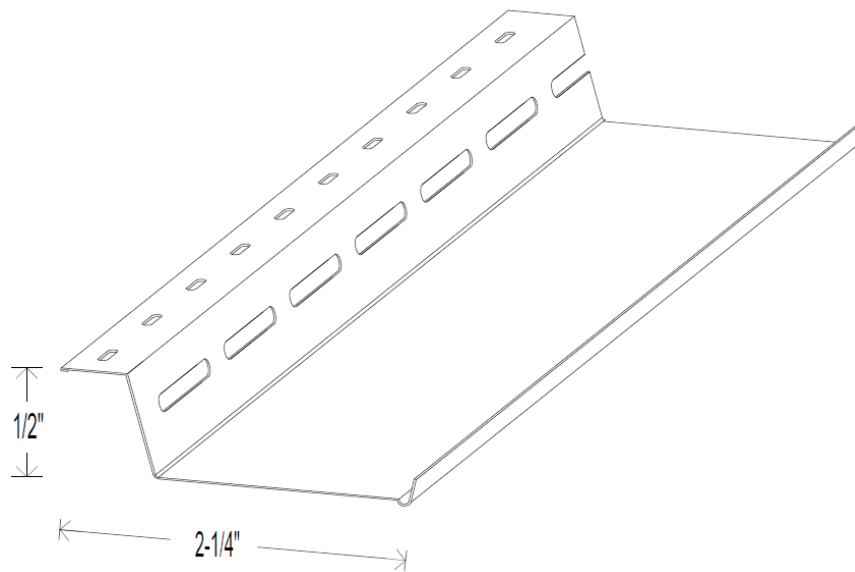




396 Attwell Drive, Toronto, Ontario. M9W 5C4  
TEL: (416)742-7642 FAX: (416)742-9438 order@dcm-metal.com

---

## Product Data Sheet Resilient Channel



- Cost effective product used on wood or steel studs/joists as an assembly for achieving specified STC (sound transmission classification) ratings
- Pre-punched slots or holes in the metal web provide resiliency to reduce sound transmission through the steel
- An economical alternative to furring channel used for leveling the underside of wood joists in basements and used for drywall attachment

Manufactured in accordance to: CAN/CSA S-136-16 (North American specification for the design of cold-formed steel structural members), ASTM A653/A653M (Standard for steel sheet, zinc-coated (galvanized) or zinc-iron alloy-coated by the hot-dip process), ASTM C645 (Standard specification for non-structural steel framing members).

---