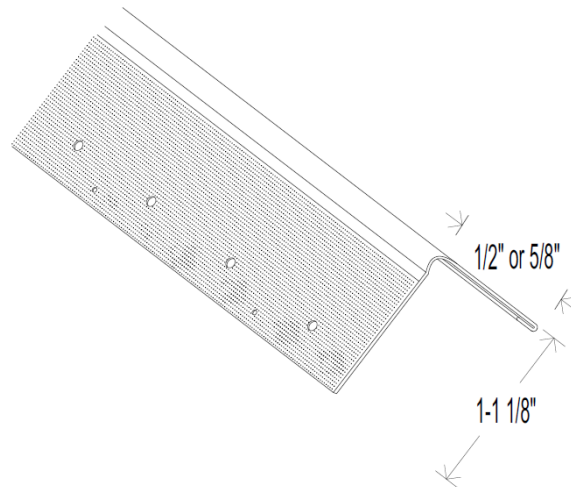




396 Attwell Drive, Toronto, Ontario. M9W 5C4  
TEL: (416)742-7642 FAX: (416)742-9438 order@dcm-metal.com

---

## Product Data Sheet L-Trim



- Used to provide a clean finished edge at door and window openings or when wallboard abuts dissimilar surfaces such as suspended ceilings, beams, plaster, masonry and concrete
- Used with 1/2" and 5/8" wallboard
- L-Trim is installed after the gypsum panels are already in place, unlike mudable J, which must be installed during gypsum panel installation
- Can be applied either with nails or screws
- Installation is completed with joint compound for a smooth ready-to-paint surface
- Hemmed front flange for rigidity
- Holes and knurled surface allow for superior joint compound adhesion
- Available in 8' & 10' lengths
- 25 pcs/ctn
- In compliance with ASTM C1047, ASTM C754, ASTM A653

Manufactured in accordance to: CAN/CSA S-136-16 (North American specification for the design of cold-formed steel structural members), ASTM A653/A653M (Standard for steel sheet, zinc-coated (galvanized) or zinc-iron alloy-coated by the hot-dip process), ASTM C645 (Standard specification for non-structural steel framing members).

---