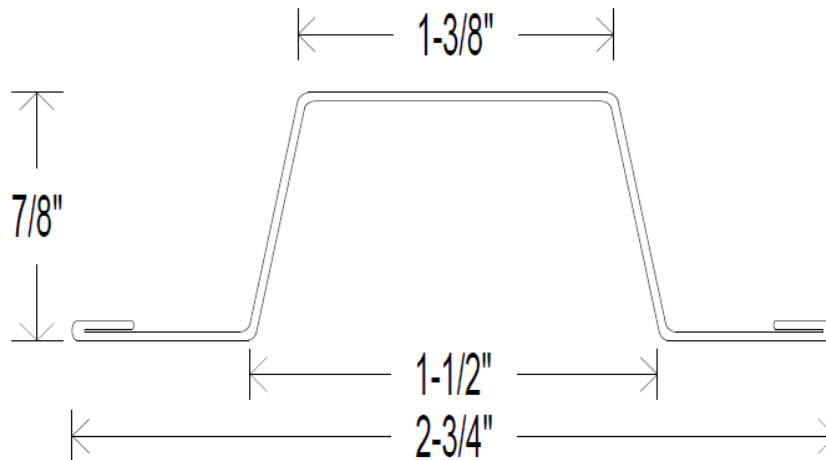




396 Attwell Drive, Toronto, Ontario. M9W 5C4  
TEL: (416)742-7642 FAX: (416)742-9438 order@dcm-metal.com

---

## Product Data Sheet Furring Channel



- Economical hat-shaped framing component used to “furr” out ceilings and masonry walls.
- Used to level uneven surfaces
- Available in 7/8” depths in 18 mils & 33 mils
- Standard lengths are 10’ and 12’
- Hemmed leg furring channel (as shown) is only available in 18 mils
- Also used in conjunction with carrying channel for suspended drywall ceiling applications

Manufactured in accordance to: CAN/CSA S-136-16 (North American specification for the design of cold-formed steel structural members), ASTM A653/A653M (Standard for steel sheet, zinc-coated (galvanized) or zinc-iron alloy-coated by the hot-dip process), ASTM C645 (Standard specification for non-structural steel framing members).