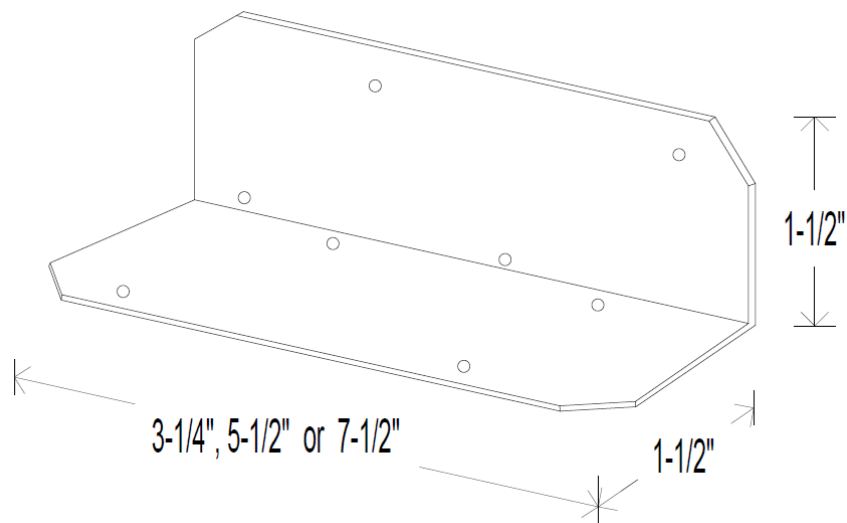




396 Attwell Drive, Toronto, Ontario. M9W 5C4
TEL: (416)742-7642 FAX: (416)742-9438 order@dcm-metal.com

Product Data Sheet Bridging Clip



- Bridging Clips are used for the installation of bridging channel for both wind load and combined wind and axial load bearing applications at every location where a carrying channel meets a stud
- Use 4 fasteners (#8 or #10) per clip in pre-punched (0.160") holes
- Can be used on inside or outside of stud
- Can be used with headers, sills, window and door openings
- 54 mils, 50ksi, G-60 minimum

Manufactured in accordance to: CAN/CSA S-136-16 (North American specification for the design of cold-formed steel structural members), ASTM A653/A653M (Standard for steel sheet, zinc-coated (galvanized) or zinc-iron alloy-coated by the hot-dip process), ASTM C645 (Standard specification for non-structural steel framing members).